



**DIPLOMATIC
HYDRAULICS**

45 200/198 ED

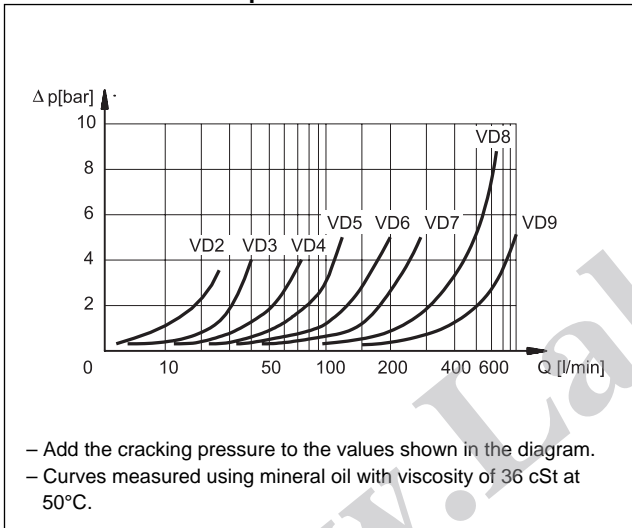


VD*-W* CHECK VALVES SERIES 30

p max 400 bar

Q max (see technical specifications table)

PRESSURE DROP Δp -Q



OPERATING PRINCIPLE

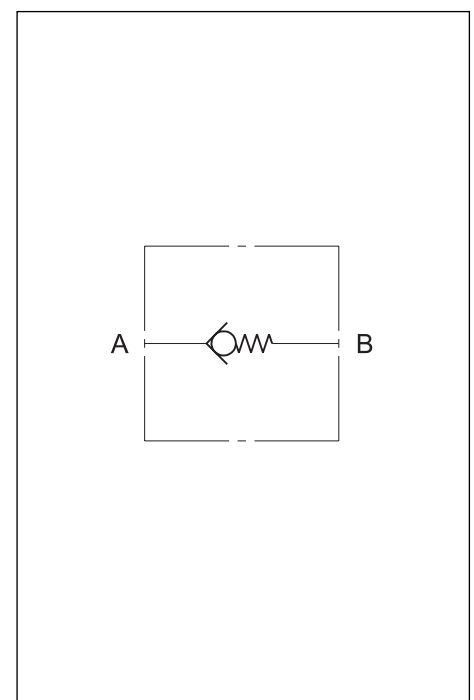
- VD valves are check valves with threaded "BSP" ports for mounting in-line on hydraulic lines.
- They allow the flow to pass freely in one direction, blocking it in the opposite direction.
- In rest conditions, the valve poppet is kept closed by a spring. The poppet opens when the pressure in the intake line "A" exceeds the set value of the spring, added to any pressure in the outlet line "B".
- Available in eight sizes for flow rates of up to 850 l/min and with five different cracking pressures.

TECHNICAL SPECIFICATIONS

Valve code	BSP port dimension	Maximum flow rate l/min	Mass kg	Max operating pressure bar
VD2-W*	1/4"	25	0,17	400
VD3-W*	3/8"	40	0,26	
VD4-W*	1/2"	75	0,41	
VD5-W*	3/4"	125	0,6	
VD6-W*	1"	200	1,2	
VD7-W*	1" 1/4	280	1,8	
VD8-W*	1" 1/2	650	3,2	
VD9-W*	2"	850	4,8	

Ambient temperature range	°C	-20 ÷ +50
Fluid temperature range	°C	-20 ÷ +70
Fluid viscosity range	cSt	2,8 ÷ 380
Recommended filtration	µm absolute	≤ 25
Recommended viscosity	cSt	25

HYDRAULIC SYMBOL





VD*-W*

SERIES 30

1 - IDENTIFICATION CODE

	V	D	-	W	/	30
--	----------	----------	----------	----------	----------	-----------

Check valve _____

Nominal dimension _____

Series No.: (The overall and mounting dimensions remain unchanged from 30 to 39)

Cracking pressure: 1 = 0,35 bar
 2 = 2 bar
 T4 = 4 bar
 3 = 6 bar
 4 = 10 bar

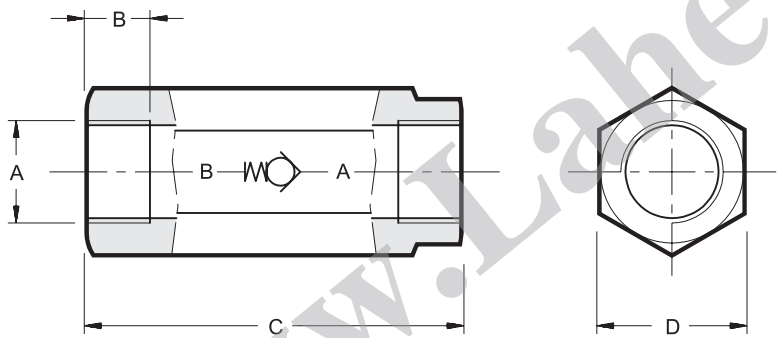
_____ BSP threaded ports

2 = 1/4"
 3 = 3/8"
 4 = 1/2"
 5 = 3/4"
 6 = 1"
 7 = 1" 1/4
 8 = 1" 1/2
 9 = 2"

2 - HYDRAULIC FLUIDS


Use mineral oil-based hydraulic fluids, with the addition of suitable anti-frothing and anti-oxidising agents.
 For the use of other fluid types (water glycol, phosphate esters and others), please consult our technical department.

3 - OVERALL AND MOUNTING DIMENSIONS



dimensions in mm

Valve code	A BSP	B	C	D
VD2	1/4"	12,5	63	22
VD3	3/8"	12,5	69	27
VD4	1/2"	15,5	80,5	32
VD5	3/4"	17	99,5	36
VD6	1"	20	117	46
VD7	1"1/4	22	134,5	55
VD8	1"1/2	24	159	65
VD9	2"	31	198	75

	<p>DIPLOMATIC OLEODINAMICA SpA 20025 LEGNANO (MI) - P.le Bozzi, 1 / Via Edison Tel. 0331/472111-472236 - Fax 0331/548328</p>
---	---